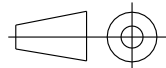
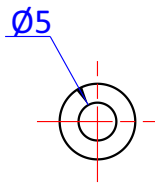
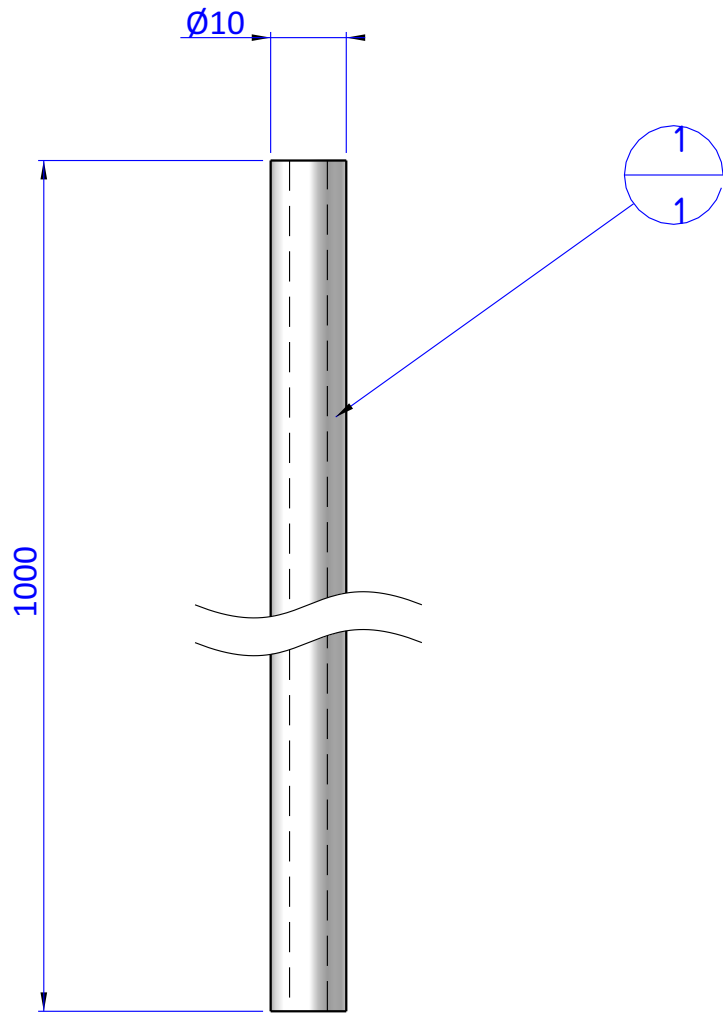


THE PROPERTY OF THE DRAWING IS ESTABLISHED BY LAW. IT IS FORBIDDEN TO PRODUCE OR SHOW IT TO THIRD PART. WITHOUT A WRITTEN AGREEMENT.

Item	Name	Q.ty
1	GAR.10.1000	1



DESIGNED FROM	FPS Automation	REVIEW	A
DATE	-	WEIGHT	0,160kg
CODE	CA.GAR.10.1000		

Format A4

UNI 936-76

GENERAL TOLERANCE

UNI - ISO 2768

CLASSE f

DESCRIPTION

CA.GAR.10.1000